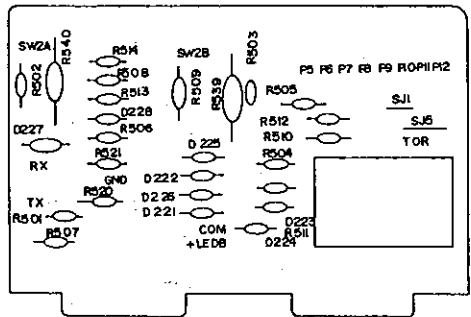
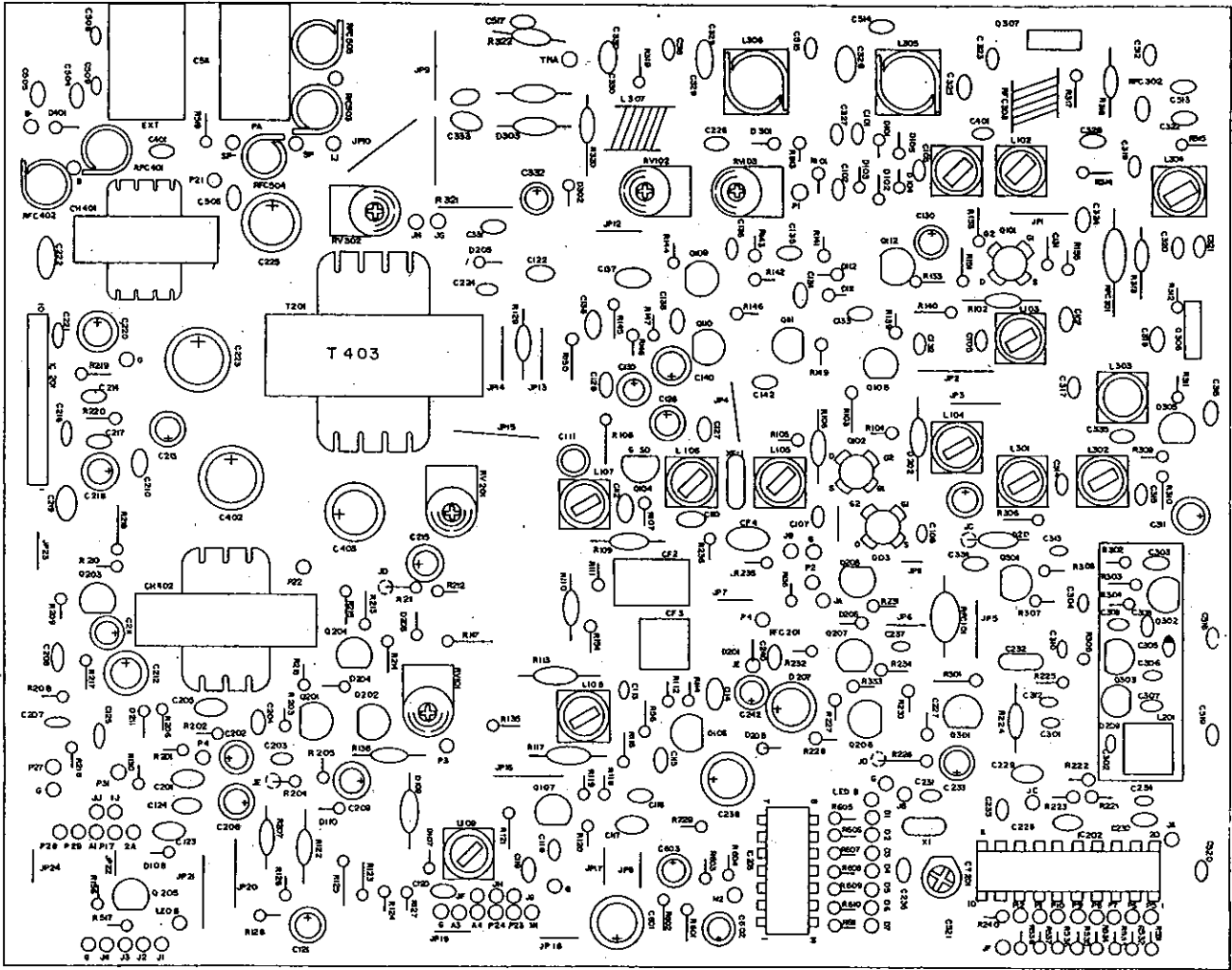


Issue No. AA(03/10/1995) MCB-60A



SCHEMATIC DIAGRAM

